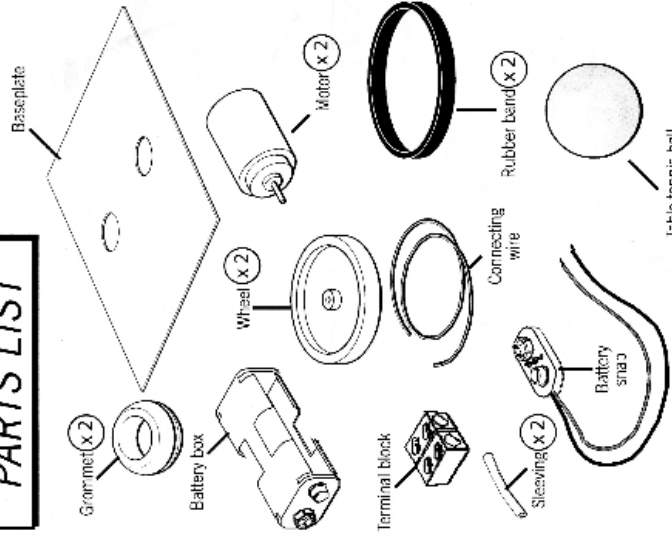


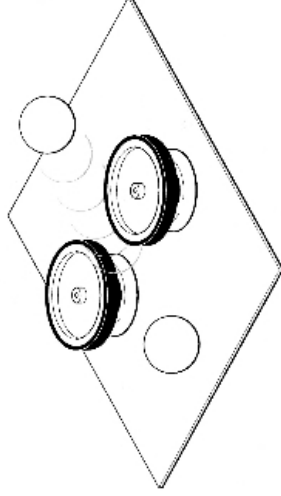
PARTS LIST



This is not a toy.
It is an educational kit and must be used under adult supervision.
This product is not suitable for children under 3 years.
It contains sharp or small parts which could be dangerous if you swallow them.

HIGH-POWERED

BALL LAUNCHER



Players sometimes use machines which serve cricket and tennis balls. These use two fast spinning wheels which throw a ball forwards. The same kind of machine can launch table tennis balls, either for practice or as part of a target game.

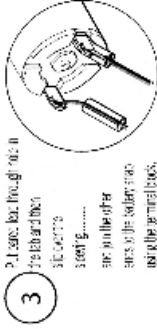
Before assembly, check the parts list on the back page

www.theiet.org/education

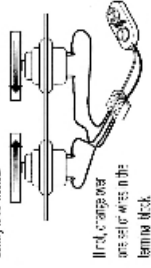
MAKING THE BALL LAUNCHER

1 - If the gearmotors are the wrong size, drill and use in the motor.

2 - Press the wheels into the motor sockets, making sure the motor leads are in the new slots.



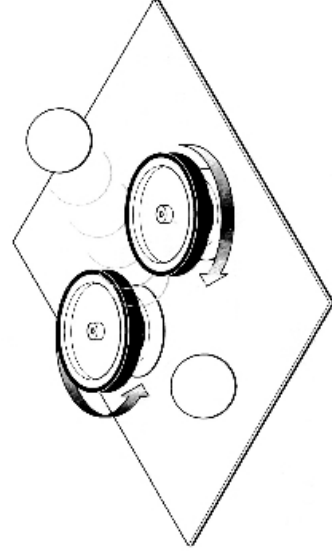
Check that the motor air speed directions when the battery is connected.



If the air speed directions are not what you want, the tennis block

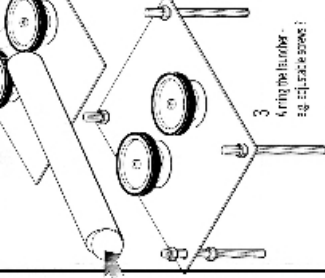
4 - You can modify the ball launcher by connecting the battery and fitting a 3.0 size screw in the motor.

5 - Check that the motor air speed directions when the battery is connected.



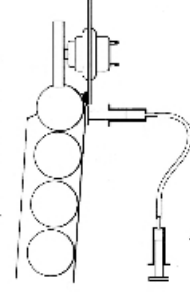
Now be an inventor.....

1 - A simple ball launcher



You now need to design a container for several balls and invent a way of releasing them. You might think about:

2 - How many balls can you fit in the container?



3 - How many balls can you fit in the container?

4 - How many balls can you fit in the container?

Please ensure the batteries are kept separately to avoid short circuiting